

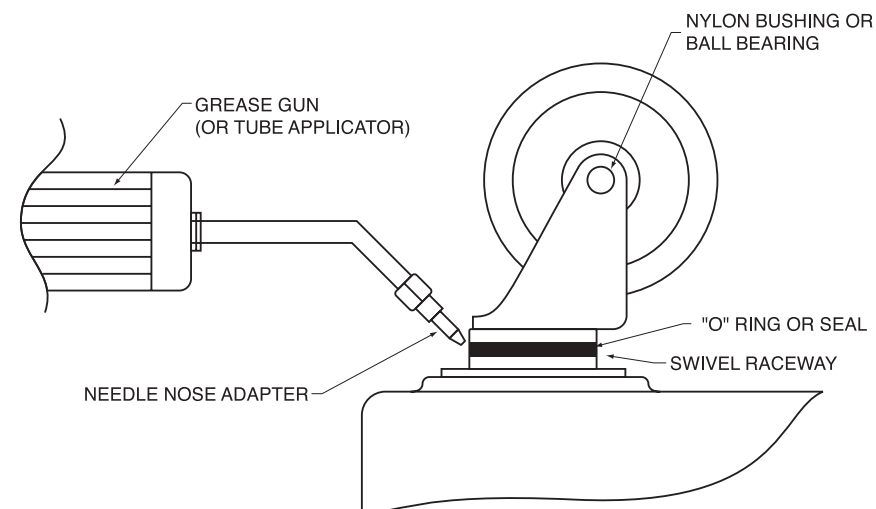
# CARE AND MAINTENANCE

## Cleaning

- Wash units with warm soapy water and a soft cloth.
- Never use abrasive cleaners, detergents or Steel Wool when cleaning any of the unit's components.
- If any staining occurs on the unit use any standard destainer such as:  
Economic's Laboratory "Dip it", Wyandotte's "Salute" or American Dietary Product's "Ware Dip".

## Casters

- Grease swivel raceway of caster using a lubricant such as: **Lubriplate No. 930-aa**, **Keystone #84PXLT Multi-Purpose grease** or the equivalent. Moving "O" ring or seal with finger, apply grease using a needle nose adapter on grease gun, or a tube type applicator such as "sta-lube" moly-graph assembly lube. (These can be obtained at most auto parts stores.)
- On casters with a bearing hub wheel no lubrication is needed, on casters using a nylon bushing at the hub, use a light oil such as **WD-40**.
- When done check caster movement both in wheel spin and swivel rotation for any damage before returning to service.



**REPLACEMENT PARTS:** Call Cambro Customer Service at 800-854-7631 or Fax Order to 1-714-842-3430 or Contact Your Local Cambro Rep or Distributor.

**CAMBRO**  
MANUFACTURING COMPANY

© 2005 Cambro Manufacturing Company 5801 Skylab Road, Huntington Beach, California 92647-2056  
Telephone 714 848 1555 Toll Free 800 854 7631 Customer Service Hot Line 800 833 3003  
Printed in USA 02/05.

PART #UM0002B

# MEAL DELIVERY CARTS

## OWNER MANUAL



### TALL PROFILE – 30 TRAY CARTS

MDC1418T30  
MDC1520T30 **NEW**

### LOW PROFILE – 20 TRAY CARTS

**NEW** MDC1418S20

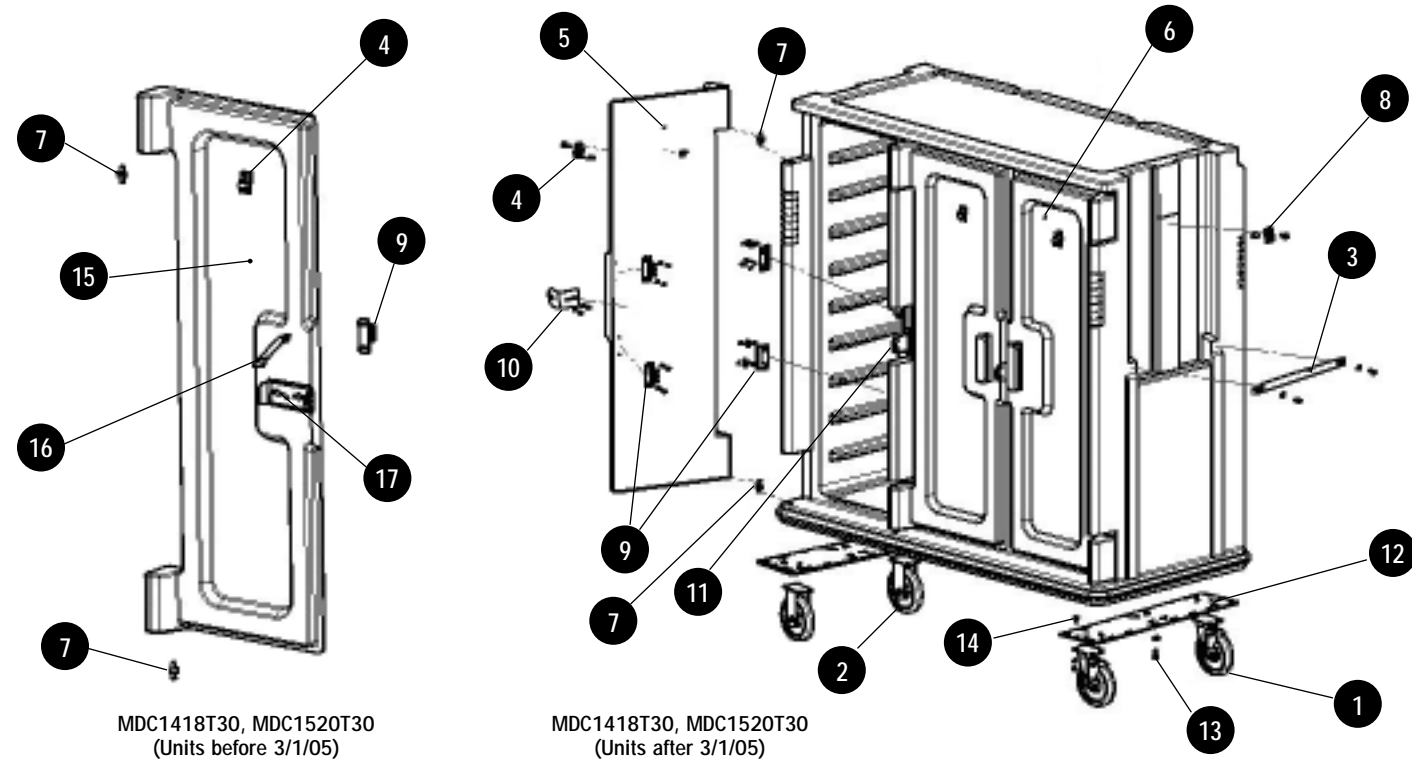


**CAMBRO**  
MANUFACTURING COMPANY

DURABILITY THAT MAKES A DIFFERENCE®

# REPLACEMENT PARTS – TALL PROFILE

Models: MDC1418T30 / MDC1520T30 Capacity: 30 Trays



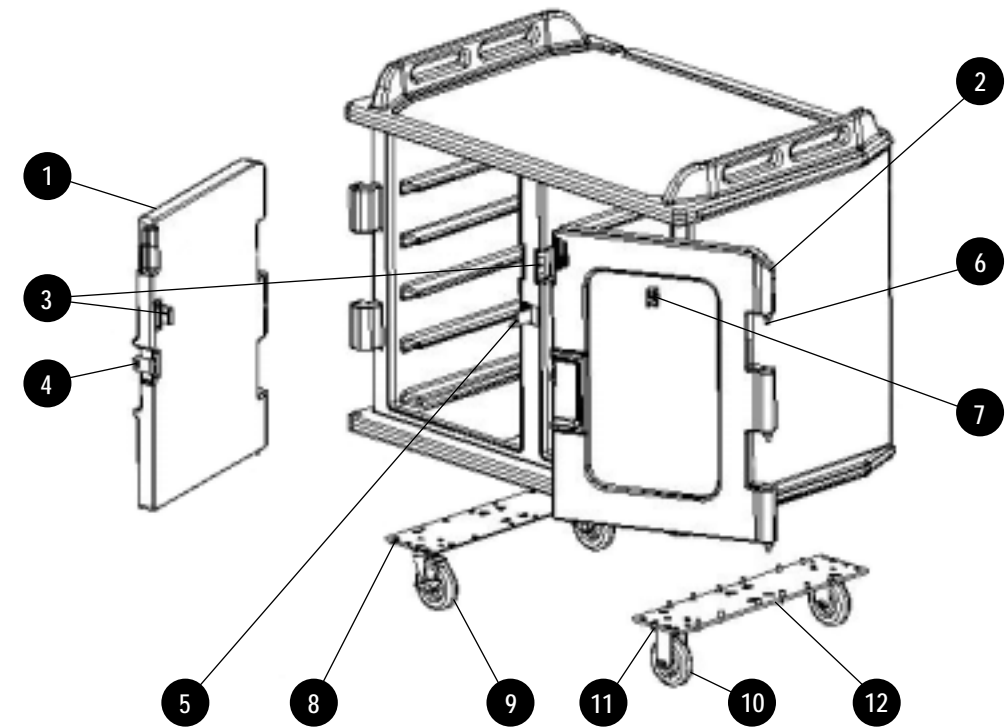
MDC1418T30, MDC1520T30  
(Units before 3/1/05)

MDC1418T30, MDC1520T30  
(Units after 3/1/05)

REPLACEMENT PART NUMBER	DESCRIPTION	COMPONENT REFERENCE NUMBER (see above)
60388	6" Swivel Caster w/Brake (Bolts included)	1
60389	6" Rigid Caster (Bolts included)	2
60390	Side Handle Kit (Body mounted)	3
60391	Menu Clip Kit (Door mounted)	4
H05001	Door Kit Left & Middle (Units after 3/1/05)	5
H05002	Door Kit Right (Units after 3/1/05)	6
42128A	Nylon Hinge Pivot Pin	7
MC1	Menu Clip Kit (Body mounted)	8
60395	Nylon Door Latch Kit	9
H05003	Security Latch Strike Plate Kit (Door mounted) (Units after 3/1/05)	10
60397	Security Latch Strike Plate Kit (Body mounted)	11
60398	Chassis Plate Kit (Bolts included)	12
60415	Bolt Kit for Chassis Plate	13
60425	Bolt Kit for Caster	14
60392	Door Kit Right (Units before 3/1/05)	15
60393	Door Kit Left & Middle (Units before 3/1/05)	15
60394	Door Handle Kit (Units before 3/1/05)	16
60396	Door Security Latch Kit (Units before 3/1/05)	17

# REPLACEMENT PARTS – LOW PROFILE

Models: MDC1418S20 Capacity: 20 Trays



REPLACEMENT PART NUMBER	DESCRIPTION	COMPONENT REFERENCE NUMBER (see above)
7700	Door Kit, Left Side	1
7701	Door Kit, Right Side	2
60131	Nylon Latch Kit (Internal mounted)	3
60419	Security Staple Kit (Door mounted)	4
60420	Security Staple Kit (Body mounted)	5
42128	Pivot Pin for Doors	6
MC1	Menu Clip Kit	7
60398	Chassis Plate Kit (Includes bolts)	8
60418	5" Swivel Caster w/Brake (Includes bolts)	9
60417	5" Rigid Caster (Includes bolts)	10
60415	Bolt Kit for Caster	11
60425	Bolt Kit for Chassis Plate	12